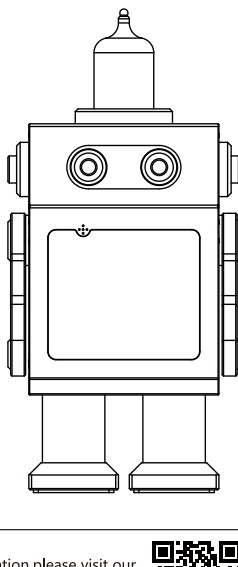




# DM-01

## Quick Start Guide



### ABOUT US

For more product information, please visit our [Http://www.xduoo.com](http://www.xduoo.com)

Or scan us directly to enter the official website



Please read this manual carefully before use and keep it properly for future reference

## Introduction

DM-01 is a small DAC & headphone amplifier with a robot shape. It has USB and Bluetooth inputs. The USB supports up to PCM 32Bit/384kHz, DSD256 and MQA formats; the Bluetooth supports HD formats such as aptX, aptX HD, and LDAC. The DAC chip adopts the CS43131 chip, and the amplifier circuit uses tube amplification and transistor as class-A buffer, It enables the sound to have the "tube" tone while ensuring sufficient power to drive most headphones with different impedances, allowing you to enjoy wonderful music at home or in the office.

## Features

- 1、The USB receiving chip adopts XMOS's XU316, supports up to PCM32 Bit/384 kHz, DSD256 and MQA 8x.
- 2、Use USB OTG cable, Supports IOS and Android system mobile phones or players.
- 3、Bluetooth chip uses Qualcomm's QCC3084, supports Bluetooth 5.4, supports aptX, aptX HD, LDAC formats.
- 4、DAC chip uses CS43131, with better decoding performance, extremely low noise and higher resolution.
- 5、It adopts 3X Clock structure design, control multiple of 44.1KHz, multiple of 48KHz and USB signal transmission, dedicated for USB asynchronous transmission, and reduced Jitter to undetectable level.
- 6、Adopt tube for pre-amp, making voice sweet and exquisite.
- 7、Adopt transistors for class A buffer, so it can easily drive any kind earphones with strong load capacity.
- 8、Use ELNA capacitors specially designed for audio as coupling capacitors.
- 9、Use aluminum-shielded case to prevent external interference noise.

## Parameter

Power Source: DC12V/2A

Compliant OS: Windows, Linux, Mac OS X, IOS, Android system

Frequency Response: 20Hz~20KHz (±0.5dB)

Bluetooth Formats: AAC, SBC, aptX, aptX HD, LDAC

Size: 17.5x8.6x6cm

Weight: 0.73kg

Sampling Rate Support:

PCM: 16~32Bit/44.1k~384kHz

DSD: DOP/NATIVE, DSD64~DSD256

DXD: 24~32Bit/352.8k~384kHz

MQA: 8X

Headphone output Parameters:

Output power: 1500mW (32Ω load)

THD+N: ≤0.3%@1kHz

SNR: 116dB

Crosstalk: ≥67dB

AUX OUT Parameters:

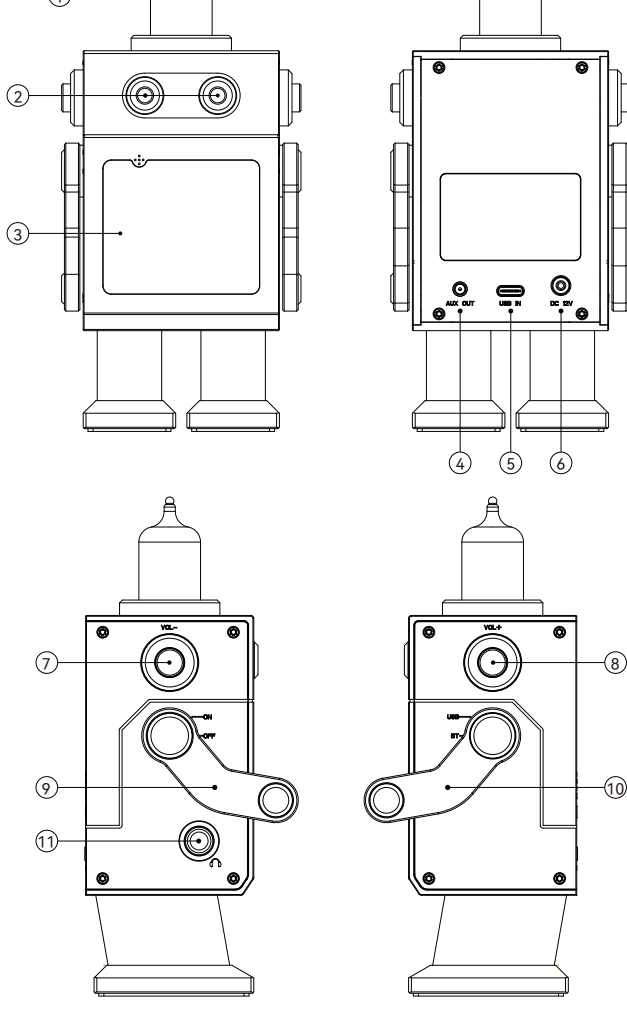
Output Level: 6Vrms

THD+N: ≤0.2%@1kHz

SNR: 116dB

Crosstalk: ≥70dB

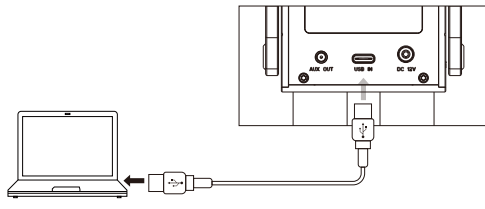
## Parts and Controls



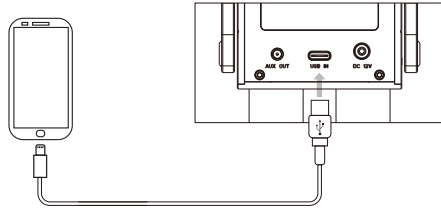
- 1、Tube (can be replaced by yourself).
- 2、Status Indicator Light
  - ① After turning on the power, it will first display white light.
  - ② Then it will flash colored lights to indicate the current volume (with three rapid double flashes). Please pay attention to whether the volume is too loud to avoid damaging your ears. The volume values corresponding to different colored lights are as follows: From 0 to 36 values is green light, 37 to 70 values is yellow light, 71 to 99 values is red light.
  - ③ Finally, it will display the input channel. For USB input, it will show red, and for Bluetooth input, it will show blue. The specific correspondences are as follows:  
When USB in:  
When not connected, it shows light red. After a successful connection, it shows red. After playing a song, if the sampling rate is 44.1k - 48kHz, it shows red; if it is 88.2k - 96kHz, it shows cyan; if it is 176.4k - 384kHz, it shows yellow; if it is DSD64 - 256, it shows white; if it is MQA, it shows green; if it is MQA, it shows blue; if it is OFS, it shows purple.  
When Bluetooth in:  
When not connected, it shows light blue. After a successful connection, it shows blue. After playing a song, if the Bluetooth format is AAC/SBC, it shows blue; if it is aptX/aptX-HD, it shows purple; if it is LDAC, it shows white.
- 3、LOGO Light
- 4、AUX OUT: Which from tube, and can be controlled by the volume button.
- 5、USB Audio Input (Type-C)
- 6、DC Power In (DC12V/2A, the socket specification is Φ5.5 \* 2.5mm).
- 7、Volume- Button: Press it to decrease the volume. Press and hold it to rapidly decrease the volume. (The status light will flash when adjusting the volume.)
- 8、Volume+ Button: Press it to increase the volume. Press and hold it to rapidly increase the volume. (The status light will flash when adjusting the volume.)  
When short pressing the volume+ and volume- buttons simultaneously, the color of the Logo light will be changed (following the color of the status light / white light / off).
- When pressing (holding the volume+ and volume- buttons simultaneously for 3 seconds (during Bluetooth input): It will be forced to enter the Bluetooth pairing state.
- 9、Power on/off  
When switched to ON, it powers on; when switched to OFF, it powers off.
- 10、Input Selection  
When switched to USB, it is for USB input. When switched to BT, it is for Bluetooth input.
- 11、6.35mm Headphone Output

## Connecting to the Audio Device

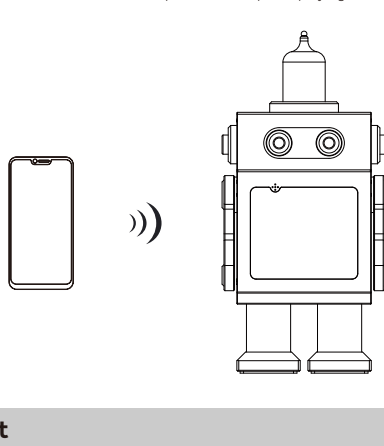
- 1、Select input to USB IN, use the USB cable to connect to an Apple/windows/Linux system computer, connect headphone, playing music on computer and enjoy it. (Need to set this unit as an audio output device on the computer)



- 2、Select input to USB IN, use the USB OTG cable to connect to USB audio out of an IOS/ Android phone, pad or HiFi player, connect headphone, then playing music, and enjoy it.



- 3、Select input to BT IN, connect Bluetooth to phone or computer, playing music, connect headphone and enjoy it.



## Package List

- |                           |     |
|---------------------------|-----|
| 1、DM-01                   | 1pc |
| 2、Type-C USB Cable        | 1pc |
| 3、6.35 to 3.5mm Converter | 1pc |
| 4、User Manual             | 1pc |
| 5、Warranty Card           | 1pc |

## Warranty Information

Our products can enjoy 12-month free warranty services from the date of the sale, if the warranty period is expired, our company will charge parts cost depend on the product fault conditions. Accessories are not covered under warranty.

Company Name: xDuo Technology Co.,LTD

Company website: [www.xduoo.net](http://www.xduoo.net)

After-sales hotline: +86 0755-29799189

After-sales address: Room 1510, Building F, Mingyue Huadu, Xixiang Street, Baoan District, Shenzhen City